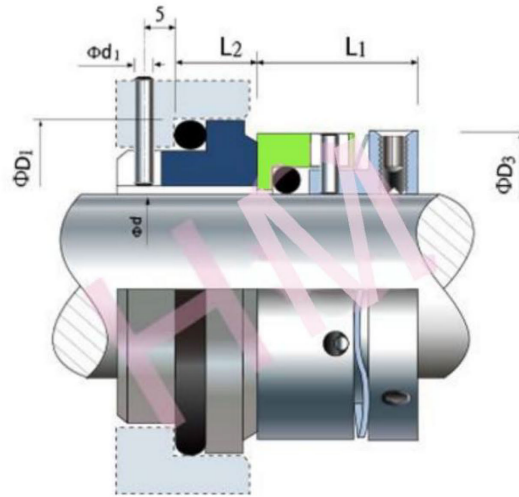


# HMJS-05(W02)



Type: Suit for Johnson Pumps  
 Replacement: AES W02  
 Temperature:  $-40^{\circ}\text{C}$  to  $+200^{\circ}\text{C}$   
 Pressure:  $\leq 0.8\text{Mpa}$   
 Speed:  $\leq 20\text{m/s}$   
 Material: B,A1,Q1,Q2,U2,P,E,N,V,F,G



Size (mm)	D1	D3	d1	L1	L2
16	27	27.0	4	19.1	8.6
20	35	31.0	5	19.1	10
22	37	33.0	5	19.1	10
24	39	34.1	5	19.1	10
25	40	35.2	5	19.1	10
28	43	40.0	5	19.1	10
30	45	41.0	5	19.1	10
32	48	42.4	5	19.1	10
33	48	44.0	5	19.1	10
35	50	45.5	5	19.1	10
38	56	51.8	5	21.1	11
40	58	53.8	5	21.1	11