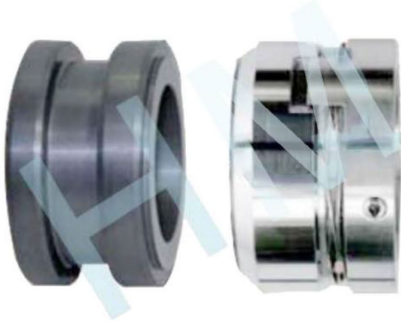
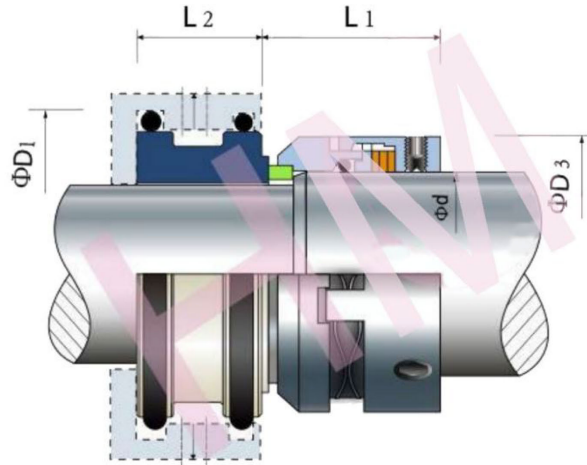


# HMKSB-03(1678Y)



Type: Suit for Various K.S.B Pumps  
 Replacement: Vulcan 1678Y  
 Temperature: -20 to +140°C  
 Pressure :  $\leq 1.0\text{Mpa}$   
 Speed:  $\leq 18\text{m/s}$   
 Material: B,Q2,U2,P,E,N,V,F,G,Alfa



d (mm)	D1	D2	D3	L1	L2
28	55.2	48.8	47	38.5	25
33	59.2	52.8	54	38.5	29

