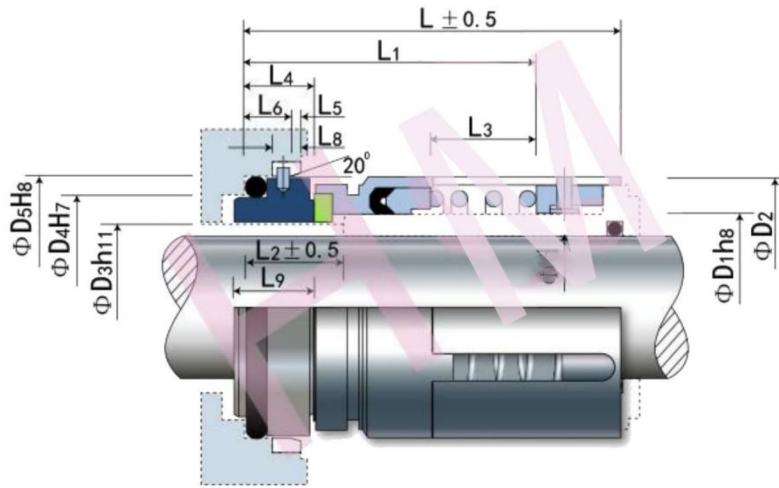




Type : O-Rng Mechanical Seal
 Temperature : -20 to +200°C
 Pressure : ≤ 4 Mpa
 Speed : ≤ 23 m/s
 Material : B,Q2,U2,P,E,N,V,F,G,Alfa



d (mm)	D1	D2	D3	D4	D5	L	L1	L2	L3	L4	L5	L6	L8	L9
1.750	44.5	62.0	39.6	52.5	62.0	89.0	69.0	23.5	25.0	16.3	2.0	10.5	6.0	18.8
2.125	54.0	76.0	47.6	64.0	76.1	109.5	92.0	27.0	35.0	19.0	2.5	12.5	7.5	20.5
2.250	57.0	75.0	52.3	64.0	73.0	89.0	71.0	27.0	27.0	19.0	2.5	12.5	7.5	20.5
2.500	63.5	85.5	57.0	70.5	82.6	119.0	95.0	28.0	45.0	19.0	2.5	12.5	7.5	20.5
2.875	73.0	95.0	66.6	80.0	92.0	115.0	93.0	28.0	32.0	22.5	3.0	14.0	8.5	23.5
3.250	82.6	104.6	76.2	91.4	101.4	116.0	93.0	32.5	32.0	22.5	3.0	14.0	8.5	23.5
3.375	85.7	112.4	79.3	100.3	112.7	123.5	101.7	32.5	37.0	22.5	3.0	14.0	8.5	23.5
3.625	92.0	114.5	85.7	102.0	114.0	117.0	97.5	32.5	36.5	22.5	3.0	14.0	8.5	23.5
4.000	102.0	125.4	95.2	107.7	121.0	123.1	102.0	32.5	36.5	22.5	3.0	14.0	8.5	23.5