

HMKSB-05(192K)



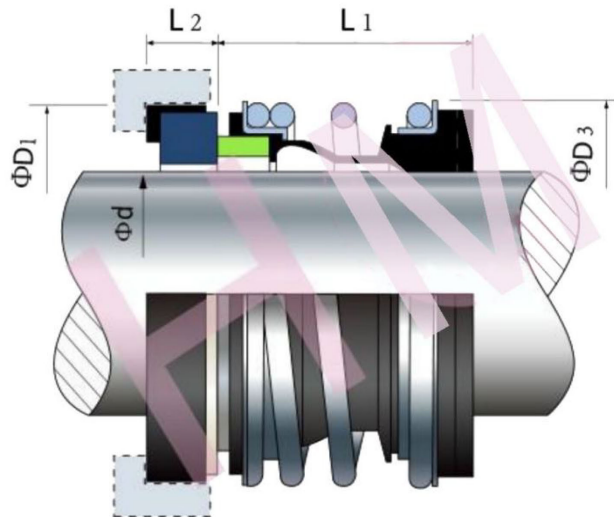
Type: Suit for K.S.B ETA-Series Pumps
Replacement: Vulcan 192K

Temperature: -20 to +120°C

Pressure : $\leq 1.4\text{Mpa}$

Speed: $\leq 15\text{m/s}$

Material: B,Q2,U2,P,E,N,V,F,G,Alfa



d (mm)	D1	D3	L1	L2
16	27	26	22.2	12.1
22	37	36	25.5	12.1
28	43	47	36.5	14.4
38	56	58	42.0	13.2
48	66	69	50.5	9.6

