

HML0W-01(T06D)



Type : Tapered Single-Spring Seal, Suit for SV- and
SVI- Series Pumps

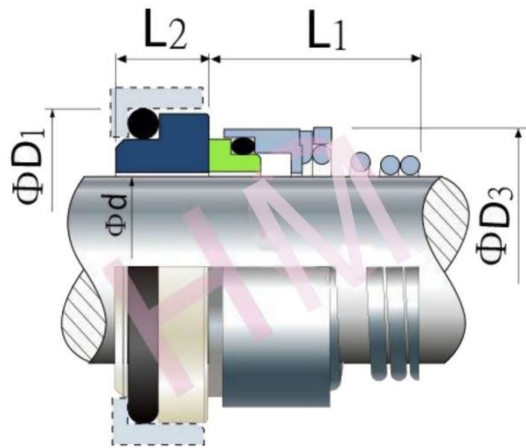
Replacement: Vulcan 135, Burgmann BT-FH , AES T06D,
ROTNE UNZTEN 5 K

Temperature: -20°C to +180°C

Pressure: $\leq 1.0\text{Mpa}$

Speed: $\leq 15\text{m/s}$

Material: B, A1, Q1, Q2, U2, P, E, N, V, F, G



d (mm)	D1	D3	L1	L2
12	23	21	25.5	7
16	27	26	28.0	7
25	40	36	30.0	10

