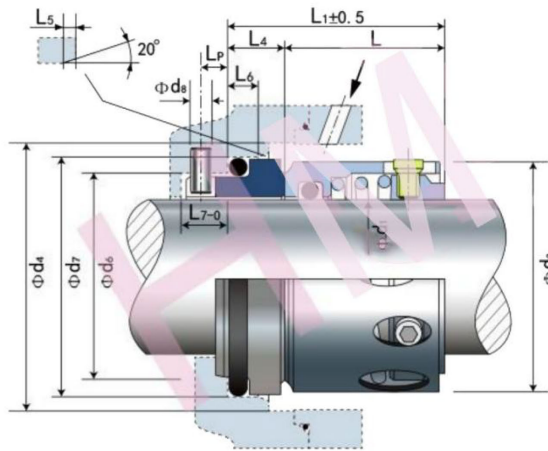


# HMLOW-05(82)

Type: Suit for LOWAARA Pumps  
 Replacement: Roten Uniten 82  
 Temperature: -20°C to +140°C  
 Pressure: ≤1.2Mpa  
 Speed: ≤15m/s  
 Material : B,A,Q2,U2,P,E,V,F,G



d1	d3	d4	d6	d7	d8	L	L1	L4	L5	L6	L7	Lp
10	21	24	14	18.1	2	15	20.5	5.5	1.2	2.8	6.2	3.5
11	21	24	16.5	20.6	2	18	23.5	5.5	1.2	2.8	6.2	3.5
12	22	24	16.5	20.6	2	18	23.5	5.5	1.2	2.8	6.2	3.5
14	24	27	19	23.1	2	22	28.0	6.0	1.2	2.8	6.7	4.0
16	26	31	21	26.9	2.5	23	30.0	7.0	1.3	3.7	7.6	4.0
18	29	35	25	30.9	3	24	32.0	8.0	1.3	3.7	8.5	4.5
19	30	36	25	30.9	3	25	33.0	8.0	1.3	3.7	8.5	4.5
20	30	36	25	30.9	3	25	33.0	8.0	1.3	3.7	8.5	4.5
22	34	40	30	35.4	3.5	25	33.0	8.0	1.8	3.7	8.5	5.0
24	35	41	30	35.4	3.5	27	35.0	8.0	1.8	3.7	8.5	5.0
25	37	43	33	38.2	4	27	35.5	8.5	1.8	3.7	9.1	5.0
28	42	47	38	43.3	4	29	38.0	9.0	1.8	3.7	9.6	6.0
29	42	47	38	43.3	4	29	38.0	9.0	1.8	3.7	9.6	6.0
30	45	50	38	43.3	4	29	38.0	9.0	1.8	3.7	9.6	6.0
32	45	50	38	43.3	4	29	38.0	9.0	1.8	3.7	9.6	6.0
33	48	55	45	53.5	5	33	44.5	11.5	2.1	5.4	12.0	7.5
35	50	57	45	53.5	5	35	46.5	11.5	2.1	5.4	12.0	7.5
38	54	62	52	60.5	5	35	46.5	11.5	2.1	5.4	12.0	7.5
40	56	64	52	60.5	5	35	46.5	11.5	2.1	5.4	12.0	7.5