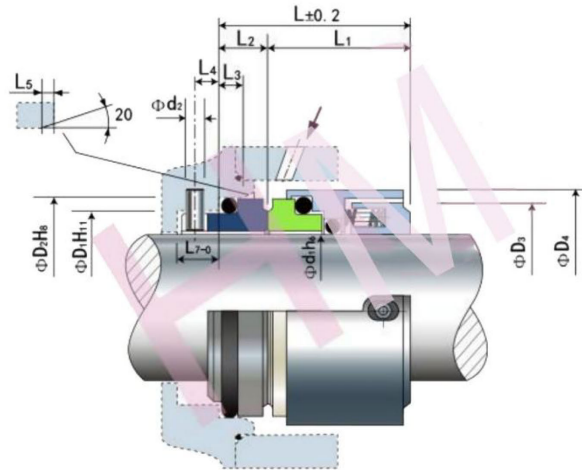


# HMLow-10(85)

Type : Suit for LOWARA pumps.  
 Replacement: Roten 85  
 Temperature: -40°C to +240°C  
 Pressure:  $\leq 1.2\text{Bar}$   
 Speed:  $\leq 15\text{m/s}$   
 Material: B,A,Q2,U2,P,E,V,F,G



d	d2	D1	D2	D3	D4	L	L1	L2	L3	L4	L5	L7
12	2.0	16.5	20.6	22.5	24	23.5	18.0	5.5	2.8	3.5	1.2	6.2
14	2.0	19	23.1	24.5	27	28.0	22.0	6.0	2.8	4.0	1.2	6.7
16	2.5	21	26.9	28.5	31	30.0	23.0	7.0	3.7	4.0	1.3	7.6
18	3.0	25	30.9	32.5	36	32.0	24.0	8.0	3.7	4.5	1.3	8.5
19	3.0	25	30.9	32.5	36	33.0	25.0	8.0	3.7	4.5	1.3	8.5
20	3.0	25	30.9	32.5	36	33.0	25.0	8.0	3.7	4.5	1.3	8.5
22	3.5	30	35.4	37.0	41	33.0	25.0	8.0	3.7	5.0	1.8	8.5
24	3.5	30	35.4	37.0	41	33.0	25.0	8.0	3.7	5.0	1.8	8.5
25	4.0	33	38.2	41.0	45	34.5	26.0	8.5	3.7	5.0	1.8	9.1
28	4.0	38	43.3	47.0	50	35.0	26.0	9.0	3.7	6.0	1.8	9.6
29	4.0	38	43.3	47.0	50	35.0	26.0	9.0	3.7	6.0	1.8	9.6
30	4.0	38	43.3	47.0	50	35.0	26.0	9.0	3.7	6.0	1.8	9.6
32	4.0	38	43.3	47.0	50	35.0	26.0	9.0	3.7	6.0	1.8	9.6
33	5.0	45	53.5	48.0	62	41.5	30.0	11.5	5.4	7.5	2.1	12.0
35	5.0	45	53.5	57.0	62	41.5	30.0	11.5	5.4	7.5	2.1	12.0
38	5.0	52	60.5	64.0	70	43.5	32.0	11.5	5.4	7.5	2.1	12.0
40	5.0	52	60.5	64.0	70	43.5	32.0	11.5	5.4	7.5	2.1	12.0