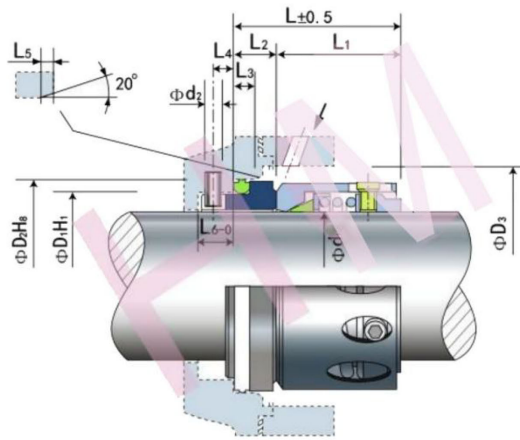


HMLOW-09(84)



Type : Suit for LOWARA pumps.
 Replacement: Roten 84
 Temperature: -40°C to $+240^{\circ}\text{C}$
 Pressure : $\leq 1.2\text{Mpa}$
 Speed : $\leq 15\text{m/s}$
 Material : B,A,Q2,U2,P,E,V,F,G



d	d2	D1	D2	D3	D4	L	L1	L2	L3	L4	L5	L6
16	2.5	21	26.9	26	31	30	23	7	3.7	4	1.3	7.6
18	3	25	30.9	29	35	32	24	8	3.7	4.5	1.3	8.5
19	3	25	30.9	30	36	33	25	8	3.7	4.5	1.3	8.5
20	3	25	30.9	30	36	33	25	8	3.7	4.5	1.3	8.5
22	3.5	30	35.4	34	40	33	25	8	3.7	5	1.8	8.5
24	3.5	30	35.4	35	41	35	27	8	3.7	5	1.8	8.5
25	4	33	38.2	37	43	35.5	27	8.5	3.7	5	1.8	9.1
28	4	38	43.3	42	47	38	29	9	3.7	6	1.8	9.6
29	4	38	43.3	42	47	38	29	9	3.7	6	1.8	9.6
30	4	38	43.3	45	50	38	29	9	3.7	6	1.8	9.6
32	4	38	43.3	45	50	38	29	9	3.7	6	1.8	9.6
33	5	45	53.5	48	55	44.5	33	11.5	5.4	7.5	2.1	12
35	5	45	53.5	50	57	46.5	35	11.5	5.4	7.5	2.1	12
38	5	52	60.5	54	62	46.5	35	11.5	5.4	7.5	2.1	12
40	5	52	60.5	56	64	46.5	35	11.5	5.4	7.5	2.1	12