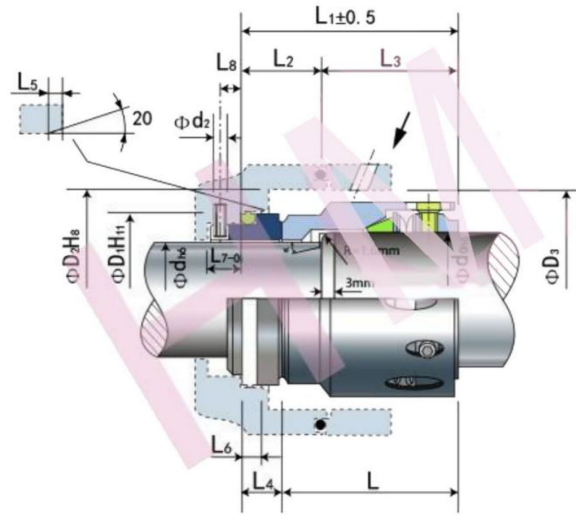


HMLOW-08(8E4)

Type : Suit for LOWAARA Pumps
 Replacement: Roten Uniten 8E4
 Temperature: -20°C to +140°C
 Pressure: ≤1.2Mpa
 Speed: ≤15m/s
 Material : B,A,Q2,U2,P,E,V,F,G



d	d0	d2	D1	D2	D3	L	L1	L2	L3	L4	L5	L6	L7	L8
10	14	3	17	21	26	33	40	18	22	7	1.5	4	8.5	5
12	16	3	19	23	28	33	40	18	22	7	1.5	4	8.5	5
14	18	3	21	25	34	35.5	42.5	18	24.5	7	1.5	4	8.5	5
16	20	3	23	27	36	35.5	42.5	18	24.5	7	1.5	4	8.5	5
18	22	3	27	33	38	35	45	20	25	10	2	5	9	5
20	24	3	29	35	40	35	45	20	25	10	2	5	9	5
22	26	3	31	37	42	35	45	20	25	10	2	5	9	5
24	28	3	33	39	44	37.5	47.5	20	27.5	10	2	5	9	5
25	30	3	34	40	46	37.5	47.5	20	27.5	10	2	5	9	5
28	33	3	37	43	49	40	50	20	30	10	2	5	9	5
30	35	3	39	45	51	40	50	20	30	10	2	5	9	5
32	38	3	42	48	58	40	50	20	30	10	2	5	9	5
33	38	3	42	48	58	40	50	20	30	10	2	5	9	5
35	40	3	44	50	60	40	50	20	30	10	2	5	9	5
38	43	4	49	56	63	39.5	52.5	23	29.5	13	2	6	9	5
40	45	4	51	58	65	39.5	52.5	23	29.5	13	2	6	9	5
43	48	4	54	61	68	39.5	52.5	23	29.5	13	2	6	9	5
45	50	4	56	63	70	39.5	52.5	23	29.5	13	2	6	9	5