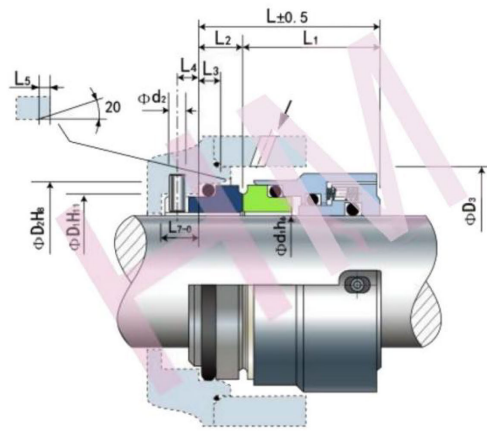


HMLow- 11(85E)



Type : Suit for LOWARA pumps.
 Replacement: Roten 85
 Temperature: -40°C to +240°C
 Pressure : ≤1.2Bar
 Speed: ≤15m/s
 Material : B,A,Q2,U2,P,E,V,F,G



d	d2	D1	D2	D3	L	L1	L2	L3	L4	L5	L6
20	3	25	30.9	44	35.5	27.5	8	3.7	4.5	1.3	8.5
22	3.5	30	35.4	47	35.5	27.5	8	3.7	5	1.8	8.5
24	3.5	30	35.4	50	38	30	8	3.7	5	1.8	8.5
25	4	33	38.2	52	38.5	30	8.5	3.7	5	1.8	9.1
28	4	38	43.3	54	41.5	32.5	9	3.7	6	1.8	9.6
30	4	38	43.3	56	41.5	32.5	9	3.7	6	1.8	9.6
32	4	38	43.3	62	41.5	32.5	9	3.7	6	1.8	9.6
35	5	45	53.5	65	44	32.5	11.5	5.4	7.5	2.1	12
38	5	52	60.5	68	43.5	32	11.5	5.4	7.5	2.1	12
40	5	52	60.5	70	43.5	32	11.5	5.4	7.5	2.1	12
43	5	52	60.5	73	43.5	32	11.5	5.4	7.5	2.1	12
45	5	57	65.5	75	43.5	32	11.5	5.4	8.5	2.1	13
48	5	57	65.5	78	43.5	32	11.5	5.4	8.5	2.1	13
50	5	64	72.5	80	45	33.5	11.5	5.4	8.5	2.1	13