

HMLOW-12(POLXB)



Type : Parallel Spring Mechanical Seal, Suit for

Loeara Pumps

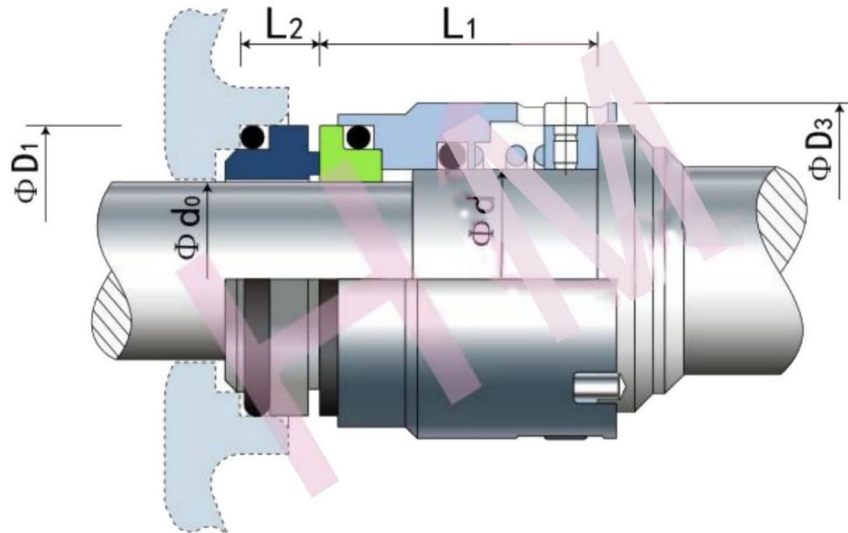
Replacement: AES POLXB

Temperature: -40 to +240°C

Pressure : ≤ 1.4 Mpa

Speed: ≤ 15 m/s

Material : B, A1, Q1, Q2, U2, P, E, N, V, F, G, Alfa



d (mm)	d0	D1	D3	L1	L2
26	22	37	43	36.4	10.4
d (inch)	d0	D1	D3	L1	L2
1.024	0.866	1.456	1.693	1.433	0.409

