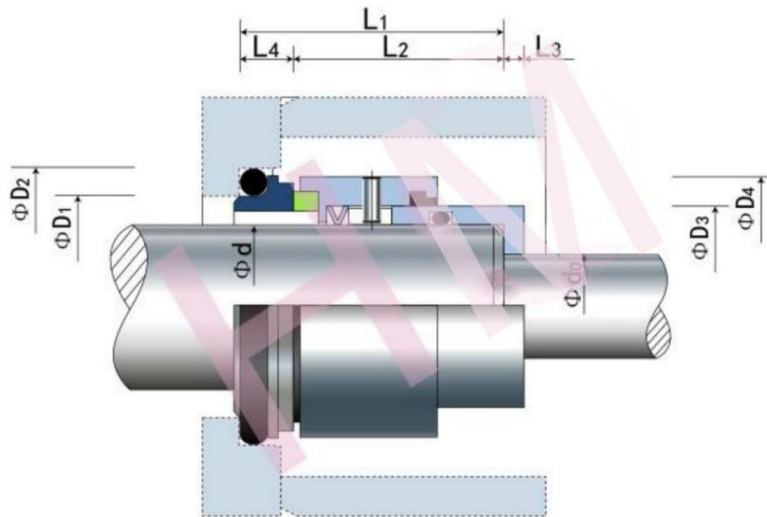


HMAD-01



www.hengmiseal.com

Type: Addritz, Sulzer Pump Seal
Replacement: Burgmann AK5 M
Temperature: $\leq 150^{\circ}\text{C}$
Pressure: $\leq 0.60\text{Mpa}$
Speed: $\leq 1600\text{r/min}$
Material: Q1, Q2, A, B, U1, U2, P, E, V, T, F, G, T2, M5



*** Product description:**

Single component mechanical seal for replacement Andritz pump application.