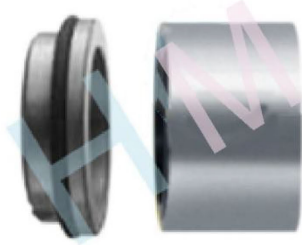


HMTH06(M010S4/type B)



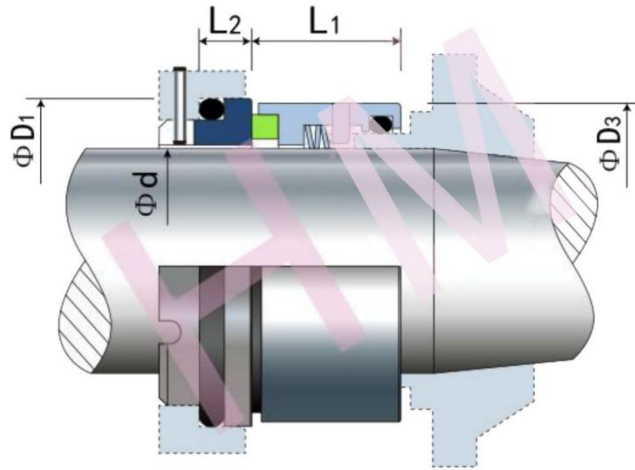
Type: Suit for Variflow TP/TPS Pumps
 Replacement: AES M010S4(Type B),BURGMANN
 SHJ92S9/SHJ97GS9

Temperature: -40 to +240°C

Pressure: $\leq 1.4\text{Mpa}$

Speed: $\leq 10\text{m/s}$

Material: B,Q2,U2,P,E,N,V,F,G,Alfa



d (mm)	D1	D3	L1	L3
25	40	38.8	24.5	7.0
30	45	43.7	27.1	7.6
d (inch)	D1	D3	L1	L3
0.984	1.575	1.528	0.965	0.276
1.181	1.772	1.720	1.067	0.299

