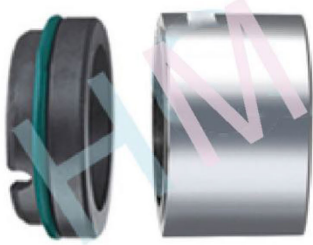


# HMTH-04(1691)



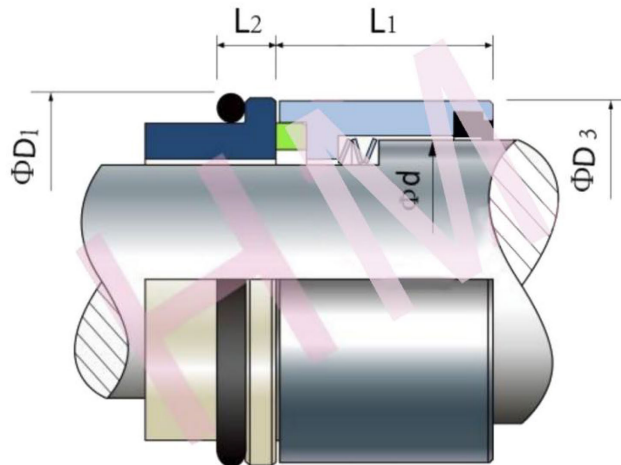
Type: Suit for Tuchenhagen Variflow Pumps  
Replacement: Vulcan 1691

Temperature: -40 to +240°C

Pressure:  $\leq 1.4\text{Mpa}$

Speed:  $\leq 10\text{m/s}$

Material: B,Q2,U2,P,E,N,V,F,G,Alfa



d (mm)	D1	D3	L1	L2	O. E. M PUMP Model
30	40	39	24.5	7	TP10, TP15, TP20, TP30
35	45	44	25.5	7	TP16, TP25, TP50, TP80

