

HMTH-02(P09S)



Type: Suit for Tuchenhagen VPB,VPC,
VPD Pumps

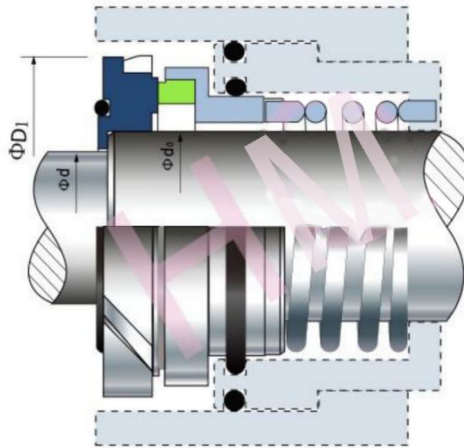
Replacement: AES P09S , Vulcan B94,Burgmann MR

Temperature: -20°C to +200°C

Pressure: ≤ 2.5 Mpa

Speed: ≤ 20 m/s

Material : B,A1,Q1,Q2,U2,P,E,N,V,F,G



d0 (mm)	d	D1
22.0	18.0	52.0
30.0	22.0	66.0
35.0	30.0	66.0

