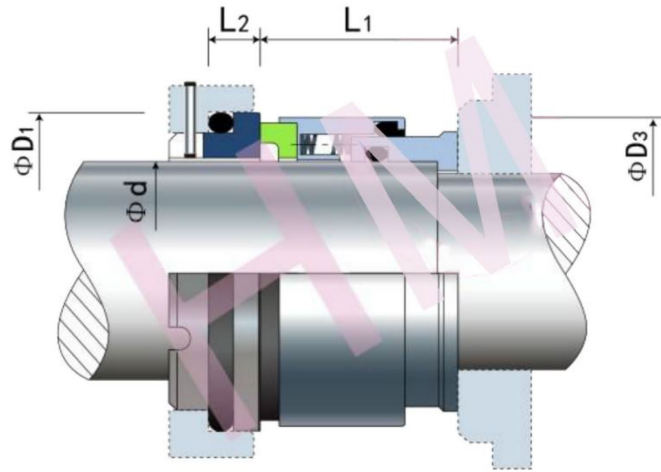


HMTH-05(M010S4)



Type: Suit for Variflow KN Pumps
 Replacement: AES M010S4,BURGMANN
 SHJ92S9/SHJ97GS9
 Temperature: -40 to +240°C
 Pressure: ≤1.4Mpa Speed:
 Speed: ≤10m/s
 Material: B,Q2,U2,P,E,N,V,F,G,Alfa



d (mm)	D1	D3	L1	L3
30	45	44	32.0	7.5
35	50	49	39.9	7.5
d (inch)	D1	D3	L1	L3
1.181	1.772	1.732	1.260	0.295
1.378	1.969	1.929	1.571	0.295

