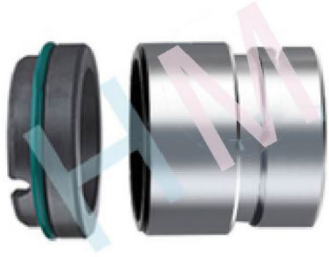
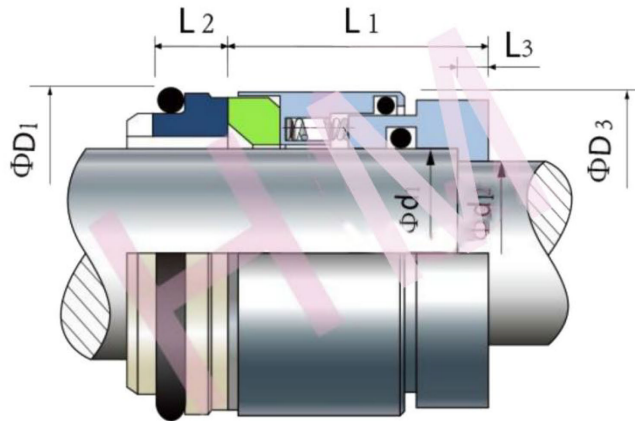


HMTH-03(1661)



Type: Suit for Tuchenhagen Variflow KN Series
Pumps
Replacement: Vulcan 1661
Temperature: -40°C to +240°C
Pressure: $\leq 1.2\text{Mpa}$
Speed: $\leq 10\text{m/s}$
Material: B,A1,Q1,Q2,U2,P,E,N,V,F,G



d1 (mm)	D1	D3	d2	L1	L2	L3	O.E.M TYPE CODE
30.00	44.50	45.00	21.50	32.50	7.00	4.00	KN1
35.00	49.30	50.00	28.00	40.50	7.00	4.00	KN3

