

HMWLS-01

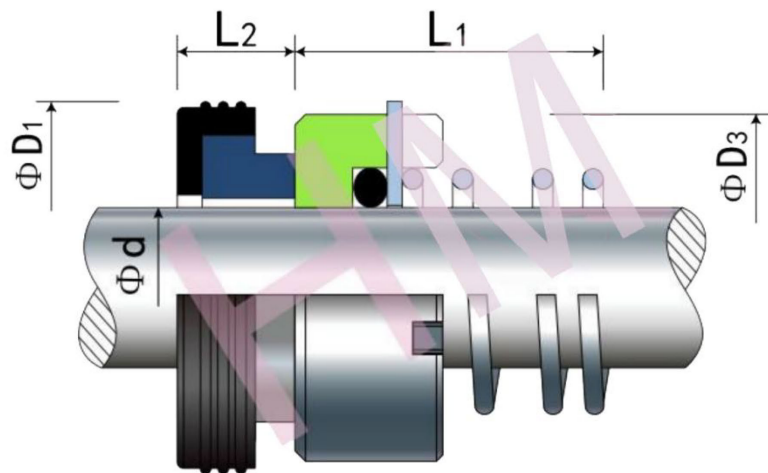


Type: Elastomeric Seal
 Replacement: Walrus Pump Seals
 Temperature: -20°C to +180°C

Pressure : $\leq 1.4\text{Mpa}$

Speed: $\leq 10\text{m/s}$

Material : B,Q2,U2,P,E,N,V,F,G,Alfa



* Suit for Walrus Pumps.

* d=12mm,16mm,25mm.



www.hengmiseal.com