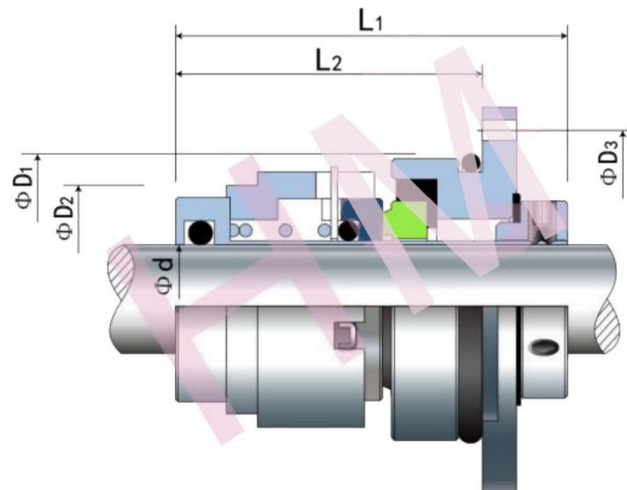


HMWLS-03



Type : Cartridge Mechanical Seal
 Replacement: Walrus TPCK2 and TPCK4 Pumps
 Temperature: -30 to +180°C
 Pressure : ≤ 1.1 Mpa
 Speed: ≤ 10 m/s
 Material : B,Q2,U2,P,E,N,V,F,G,Alfa



$d=12$ mm, 16 mm.



www.hengmaseal.com