

HMWKS-01(MOGCE)



Type: Waukesha/Wright TRA 500 Series
Pump Seal

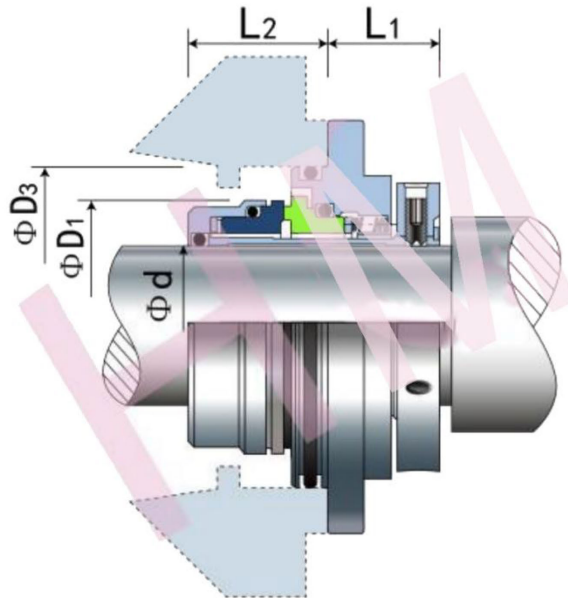
Replacement: AES MOGCE

Temperature: -20 to +160°C

Pressure : $\leq 1.0\text{Mpa}$

Speed: $\leq 10\text{m/s}$

Material : B,Q2,U2,P,E,N,V,F,G,Alfa



d (mm)	D1	D3	L1	L2
30	46.8	60	24.85	30.88
d (inch)	D1	D3	L1	L2
1.181	1.843	2.362	0.978	1.216

