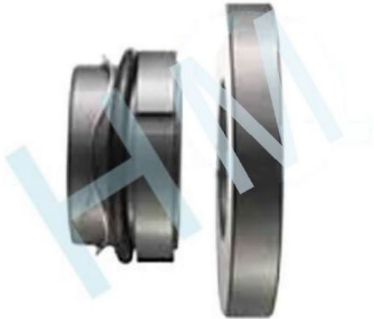


HMWKS-05(W13U/SINGLE)



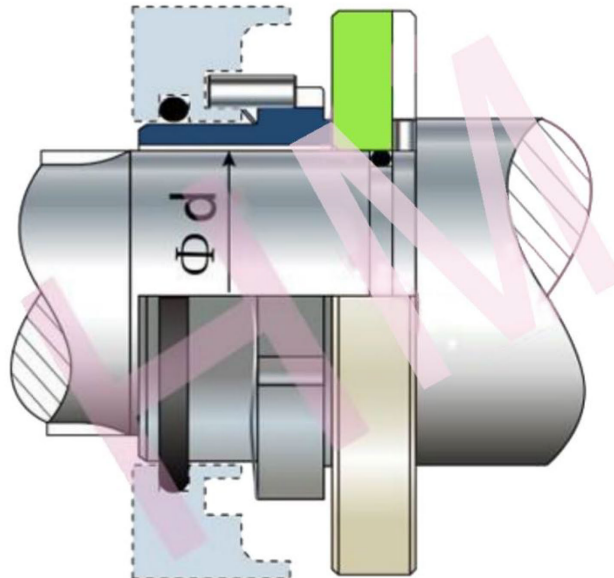
Type: Waukesha/ Wright Universal 1,
WRU(TRA10) Pump Seal

Replacement: AES W13 U(Single Seals)

Temperature: -20 to +180°C

Pressure : $\leq 1.0\text{Mpa}$

Speed: $\leq 10\text{m/s}$



Suit for Waukesha/ Wright Pumps.

d=30.1mm,38.1mm,47.6mm,69.8mm

and 1.185",1.500",1.875",2.750".

