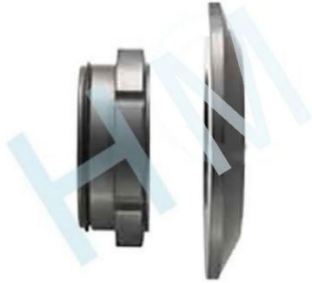


HMWKS-07(W13SU/SINGLE)



Type : Waukesha/Wright Universal II (TRA20)
Pump Seal

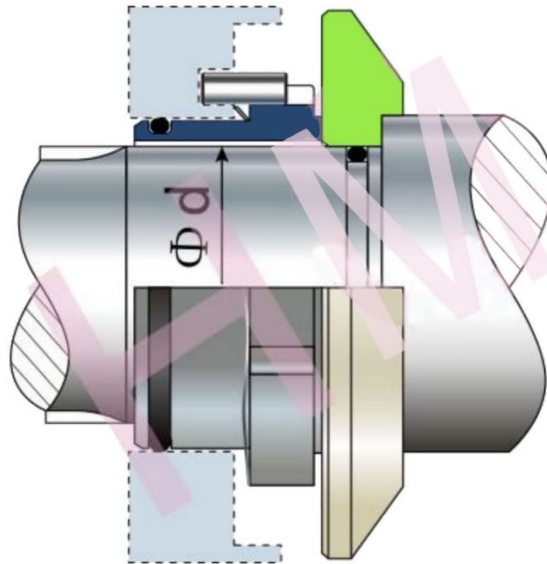
Replacement: AES W13SU(Single Seals)

Temperature: -20 to +180°C

Pressure : $\leq 1.0\text{Mpa}$

Speed: $\leq 10\text{m/s}$

Material : B,Q2,U2,P,E,N,V,F,G,Alfa



Suit for Waukesha/Wright Pumps.

d=31.7mm, 41.2mm, 50.8mm, 69.8mm ,76.2mm

and 1.250", 1.625", 2.000", 2.750", 3.000".

