

HMWKS-04(M09S)



Type: Waukesha/ Wright Universal II
(TRA20) Pump Seal

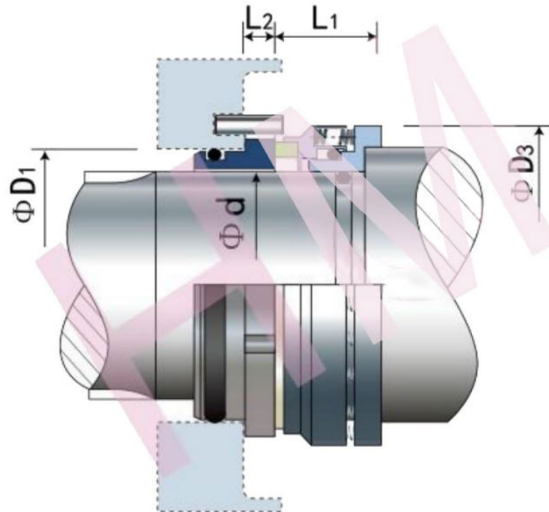
Replacement: AES M09 S

Temperature: -20 to +180°C

Pressure : ≤ 1.4 Mpa

Speed: ≤ 10 m/s

Material : B,Q2,U2,P,E,N,V,F,G,Alfa



d (mm)	D1	D3	L1	L2
69.8	83.3	93.4	24.0	5.1
d (inch)	D1	D3	L1	L2
2.750	3.280	3.675	0.945	0.201

