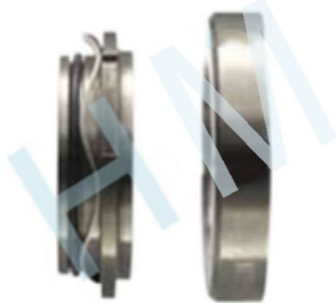
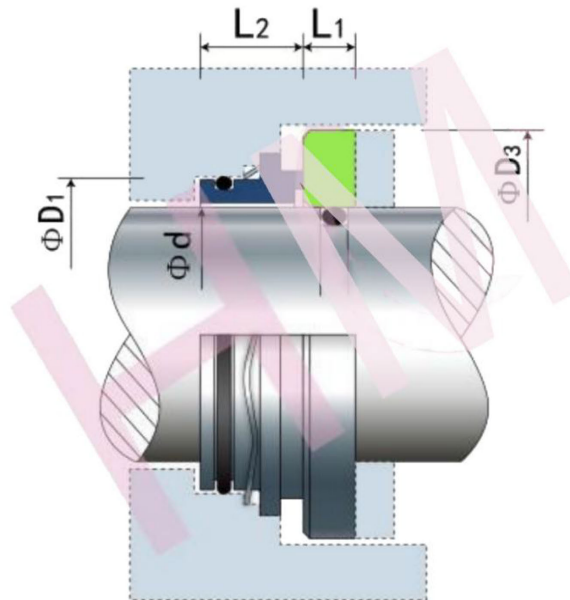


# HMWKS-02(W13X)



Type: Waukesha/Wright SP4 Pump Seal  
 Replacement: AES W13 X  
 Temperature: 20°C to +120°C  
 Pressure:  $\leq 1.4\text{Mpa}$   
 Speed:  $\leq 10\text{m/s}$   
 Material: B,Q2,U2,P,E,N,V,F,G,Alfa



d (mm)	D1	D3	L1	L2
33	40.1	52.5	6.8	13.3
d (inch)	D1	D2	L1	L2
1.300	1.578	2.067	0.268	0.523

