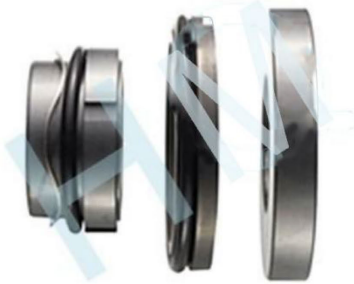


HMWKS-06(W13U/DOUBLE)



Type : Waukesha/Wright Universal 1, WRU(TRA10)

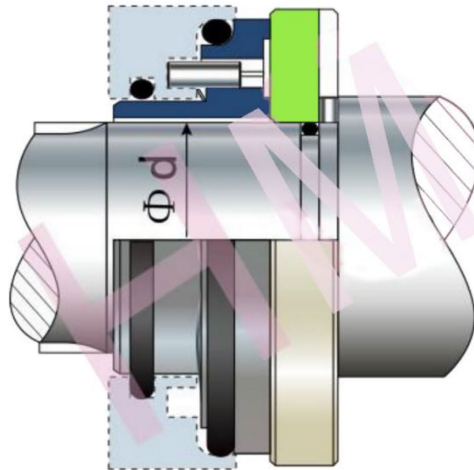
Pump Seal

Replacement: AES W13 U(Double Seals)

Temperature: -20 to +180°C

Pressure : ≤ 1.0 Mpa

Speed: ≤ 10 m/s



Suit for Waukesha/Wright Pumps.

d=30.1mm,38.1mm,47.6mm,69.8mm

and 1.185",1.500",1.875",2.750".

