

# HMEMU-03(1640/1642)

Type: Suit for EMU/ Wilo Submersible Pumps and MIXERS

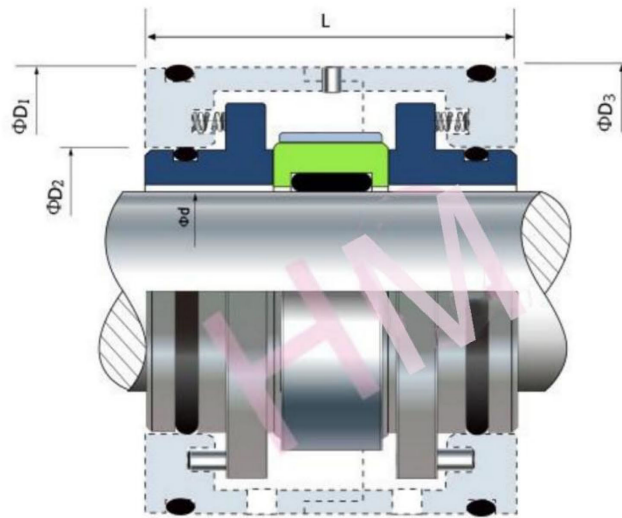
Replacement: Vulcan1640/1642, AES SOE

Temperature: -40°C to +204°C

Pressure :  $\leq 1.1$  Mpa

Speed:  $\leq 15$  m/s

Material : B,A1,Q1,Q2,U2,P,E,N,V,F,G



## Vulcan 1640

d (mm)	D1	D2	D3	L
35	72	47	72	47
50	92	63	90	52
75	130	95	128	75

## Vulcan 1642

d (mm)	D1	D2	D3	L
35	72	49	72	47
50	92	65	90	52

