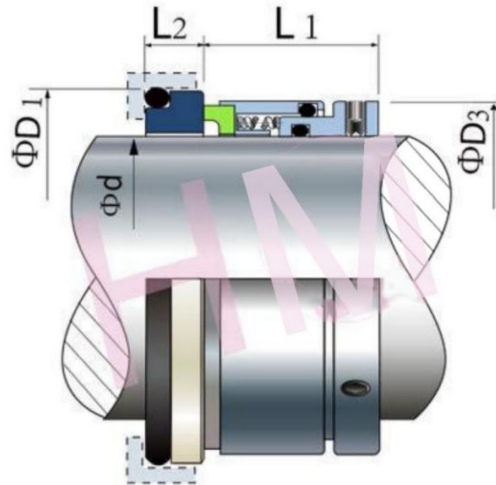


HMEMU-06(SAIE)



Type: Suit for EMU Pumps
 Replacement: AES SAIE
 Temperature: -40°C to +200°C
 Pressure: ≤ 1.2 Mpa
 Speed: ≤ 20 m/s
 Material: B,A1,Q1,Q2,U2,P,E,N,V,F,G



d (mm)	D1	D3	L1	L2
85.0	109.0	103.2	44.2	14.8
105.0	134.3	129.0	36.5	14.8

