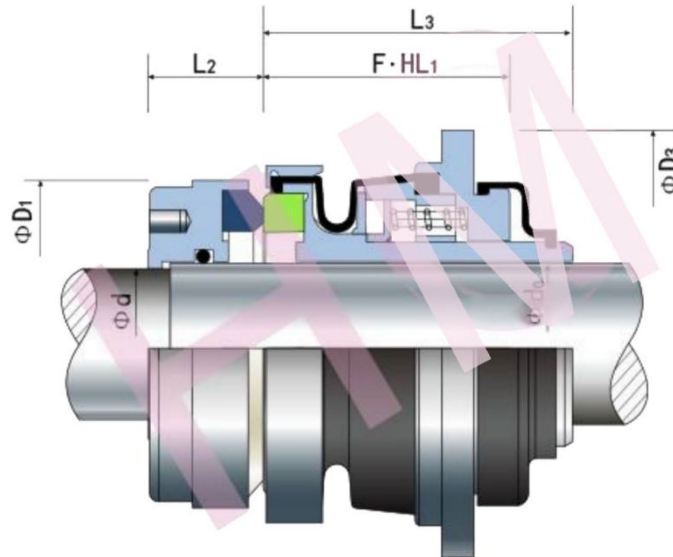


HMOP-09(AP)



Type: machined mechanical seal
 Replacement: widely used for industrial pumps
 Temperature: -20°C to $+140^{\circ}\text{C}$
 Pressure : $\leq 1.2\text{Mpa}$
 Speed: $\leq 10\text{m/s}$
 Material : B,A,Q2,P,E,V,U2,F,G



d (mm)	d0	D1	D3	L1	L2	L3
25	35	100	70	68	27.8	76
38	45	110	80	68	27.8	76
40	50	115	85	68	28.0	76
50	60	125	95	68	30.6	76

