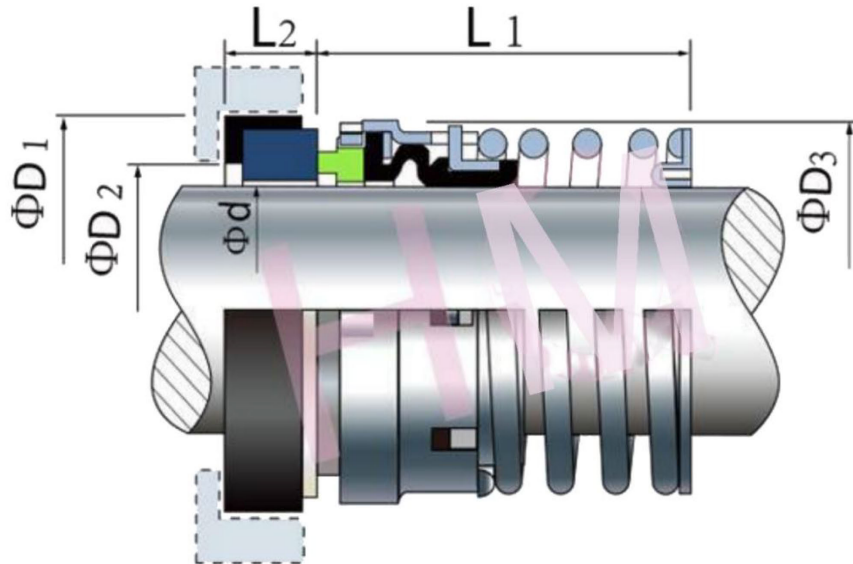


# HMOP-01(N5)



Type : Mission Magnum Pump Seals, For National oilwell Varco  
 Replacement: Vulcan N5  
 Temperature: -20 to +150°C  
 Pressure :  $\leq 1.4\text{Mpa}$   
 Speed :  $\leq 10\text{m/s}$   
 Material: B, Q2, U2, P, E, N, V, F, G, Alfa



d		D1		D3		L1		L3	
mm	inch	mm	inch	mm	inch	mm	inch	mm	inch
63.50	2.500	85.73	3.375	81.54	3.210	63.5	2.500	14.40	0.567

