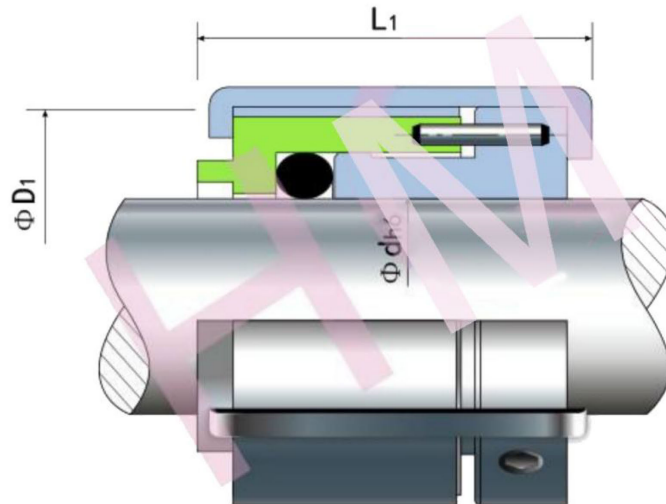


HMOP-08



Type : machined mechanical seal
 Replacement: widely used for industrial pumps
 Temperature: -20°C to +140°C
 Pressure: $\leq 1.2\text{Mpa}$
 Speed: $\leq 10\text{m/s}$
 Material : B,A,Q2,P,E,V,U2,F,G



Size (inch)	d	D1	L1
1 1/8"	28.575	48.2	33
1 3/8"	34.925	54.8	33
1 7/8"	47.625	68.6	33