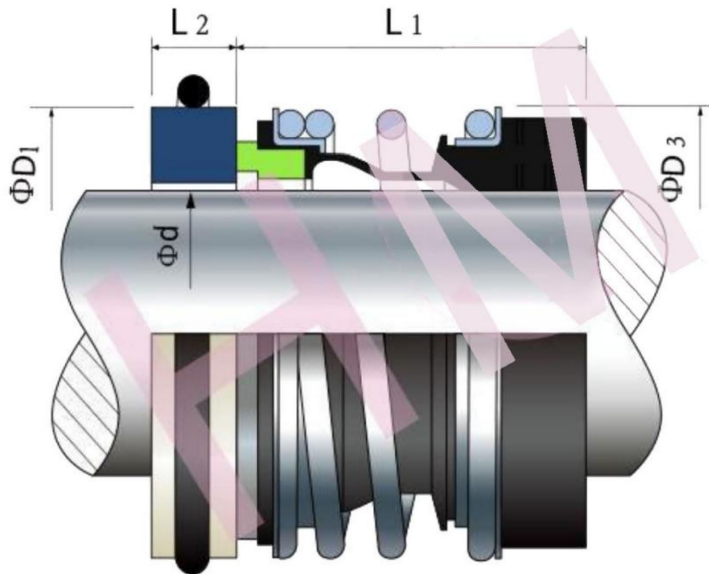


HMHAI-06(144)



Type : KOLMEKS A-,L-,N- and T- pumps Seals
 Replacement: Vulcan 144
 Temperature: -20°C to +120°C
 Pressure : ≤ 1.0 Mpa
 Speed: ≤ 15 m/s
 Material: B,A1,Q1,Q2,U2,P,E,N,V,F,G



d (mm)	D1	D3	L1	L2
12	22.22	22	25.40	5.5
28	30.15	32	24.50	8.0
25	36.73	39	25.40	8.0
32	46.00	46	30.15	8.5
40	58.00	56	36.00	9.0

