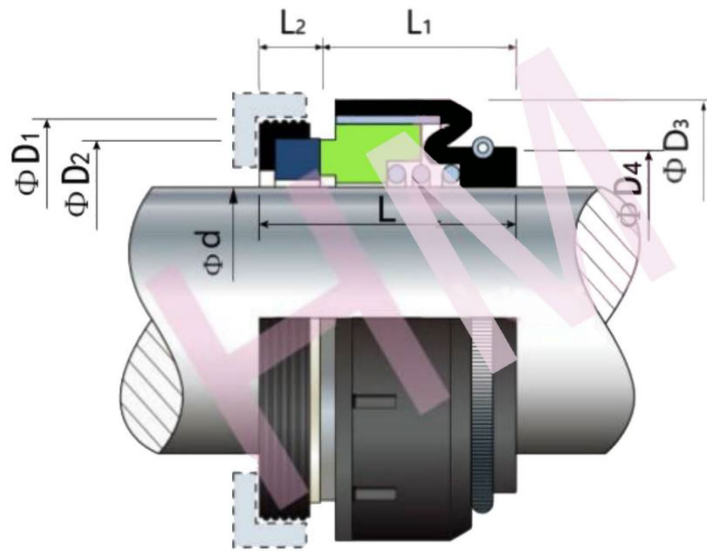


# HMOP-10(KI-IP)



Type : Single Spring Rubber Bellow Seal  
 Replacement: GOETZE Pump Seals  
 Temperature: -20°C to +120°C  
 Pressure:  $\leq 1.2\text{Mpa}$   
 Speed:  $\leq 10\text{m/s}$   
 Material : B,A1,Q1,Q2,U2,P,E,N,V,F,G



d (mm)	D1	D2	D3	D4	L	L1	L2
20	38	32	38	28	27.5	18	9.5
25	42	36	44	34	29.5	20	9.5
30	48	43	50	39	34.0	24	10.0

