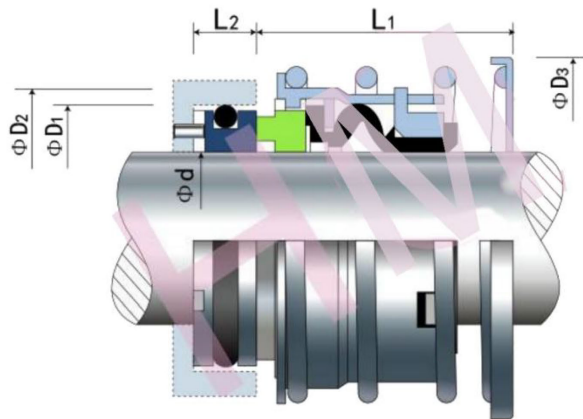


HMOP-02(V4)

Type: Viking Pump Seals
 Replacement: Vulcan V4
 Temperature: -20 to +150°C
 Pressure: $\leq 1.4\text{Mpa}$
 Speed: $\leq 10\text{m/s}$
 Material : B,A1,Q1,Q2,U2,P,E,N,V,F,G,Alfa



| d (inch) | Size Code | D1 | D2 | D3 | L1 | L2 |
|-------------|-----------|-------|------|------|------|------|
| 1.000 | 0254 | 40.82 | 37.0 | 43.0 | 25.4 | 7.87 |
| 1.250 | 0317 | 47.60 | 45.5 | 51.5 | 25.4 | 9.65 |

0254.O.AN. Stationary has no ANTI-ROTATION slot

0317.O.AN Stationary has 2 off slots at 180"

