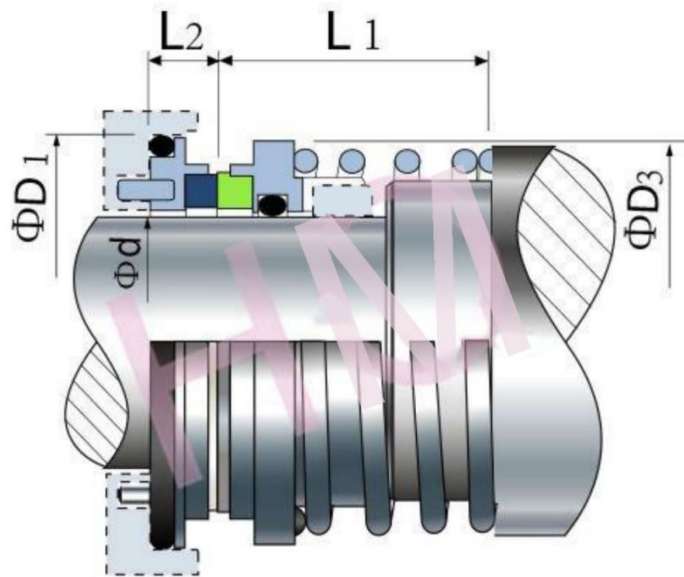


# HMOP-04(P011)



Type: Viking Pump Seals  
 Replacement: AES P011  
 Temperature: -20°C to +120°C  
 Pressure :  $\leq 1.4\text{Mpa}$   
 Speed :  $\leq 15\text{m/s}$   
 Material : B,A1,Q1,Q2,U2,P,E,N,V,F,G



d (mm)	D3	D1	L2
28.6	47.2	50.8	9.4
36.5	56.5	58.8	9.4

