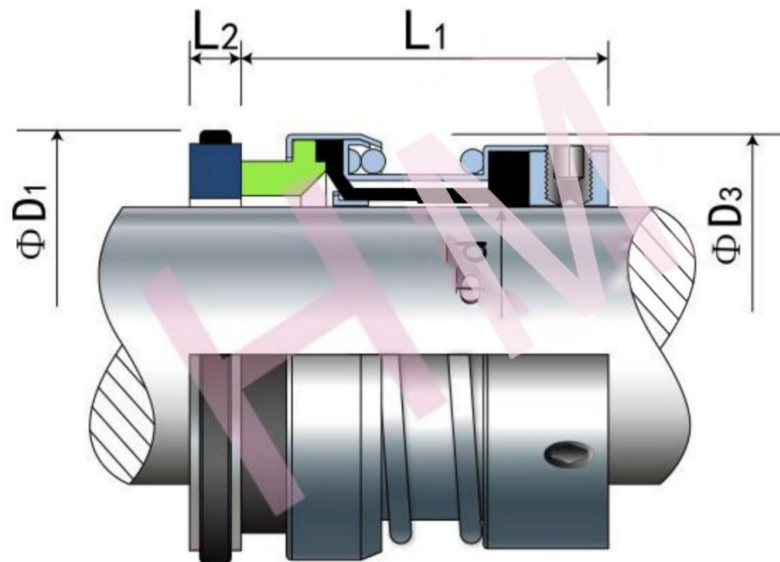


HMOP-19



Type: Salmson Pump Seals
 Replacement: Lidering SM-AC
 Temperature: -20 to +150°C
 Pressure: $\leq 1.6\text{Mpa}$
 Speed: $\leq 15\text{m/s}$
 Material: B,Q2,U2,P,E,N,V,F,G,Alfa



It is equal to Lidering SM-AC

d=14mm,18mm,22mm,28mm,38mm,55mm

