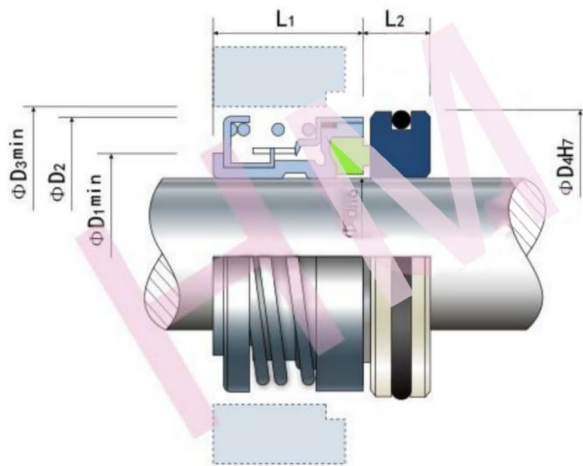


# HMOP-16

Type: Single Spring Seal  
 Replacement: Upgrade Crane 2100  
 Temperature: -30°C to +150°C  
 Pressure:  $\leq 4.0\text{Mpa}$   
 Speed:  $\leq 15\text{m/s}$   
 Material: B,A,Q2,P,E,V,U2,F,G



Model	d (inch)	D1	D2	D3	D4	L1	L2
7/16"	11.100	14.0	23.2	25.0	30.00	18.00	8.7
1/2"	12.700	16.7	24.0	26.0	25.40	20.62	7.9
5/8"	15.875	19.4	27.0	28.0	31.75	22.23	10.3
3/4"	19.050	23.8	32.0	34.0	34.93	22.23	10.3
7/8"	22.225	27.0	36.0	38.0	38.10	23.80	10.3
1"	25.400	30.0	39.0	41.0	41.28	25.40	11.1
1 1/8"	28.575	33.5	42.0	44.0	44.45	26.97	11.1
1 1/4"	31.750	37.0	46.0	48.0	47.63	26.97	11.1
1 3/8"	34.925	40.5	49.5	51.0	50.80	28.58	11.1
1 1/2"	38.100	43.5	54.0	58.0	53.98	30.15	11.1
1 5/8"	41.275	47.0	56.5	60.0	60.33	34.93	12.7
1 3/4"	44.450	50.5	61.0	65.0	63.50	34.93	12.7
1 7/8"	47.625	54.0	64.0	68.0	66.68	38.10	12.7
2	50.800	57.0	67.5	70.0	69.85	38.10	12.7