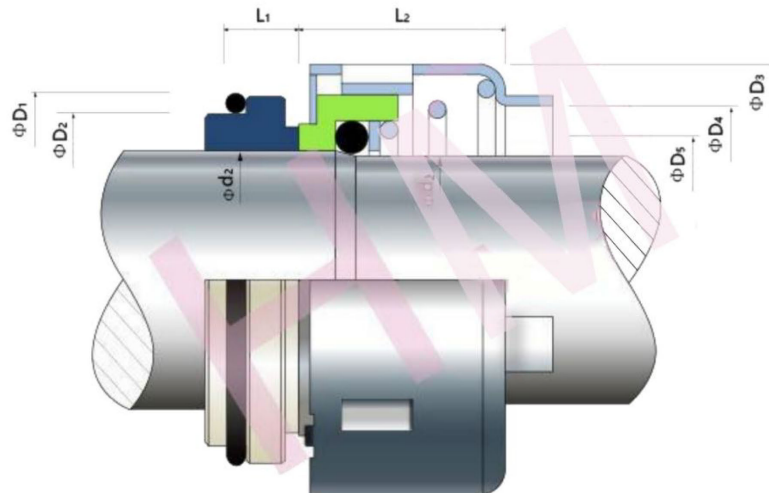


HMOP-12(MVX-A)



Type: Mouvex Series Pump Seals
 Temperature: -20°C to +120°C
 Pressure : $\leq 1.2\text{Mpa}$
 Speed: $\leq 10\text{m/s}$
 Material : B,A1,Q1,Q2,U2,P,E,N,V,F,G



Model (mm)	d1	d2	D1	D2	D3	D4	D5	L1	L2	L2 (free)
OP- 12-30	29.5	31	50.5	40.6	47.2	36.5	31.2	16.2	20.5	32
OP- 12-35	34.3	36		52.8	52.0	47.7	36.3	11.5	18.0	20
OP- 12-40	39.3	41	58.8	51.9	67.5	55	46.0	11.5	30.0	32

