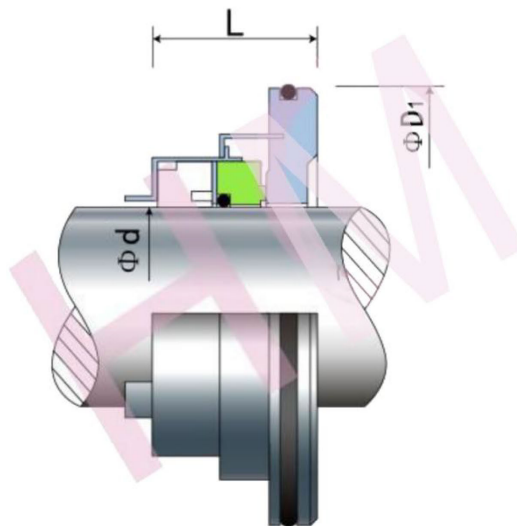


HMOP-35



Type: Blackmer Pump Seals
Replacement: Suit for Blackmer X,GX and TX pumps
Temperature: - 10 to +150°C
Pressure: $\leq 0.8\text{Mpa}$
Speed: $\leq 10\text{m/s}$
Material : B,Q2,U2,P,E,N,V,F,G,Alfa



Blackmer pump seals, Suit X, GX and TX pumps.

