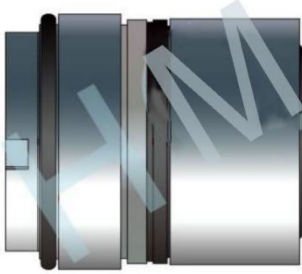


HMOP-27(M011X)



Type: Goulds IC & ICB/Vogel LSB
& LSN pump seal

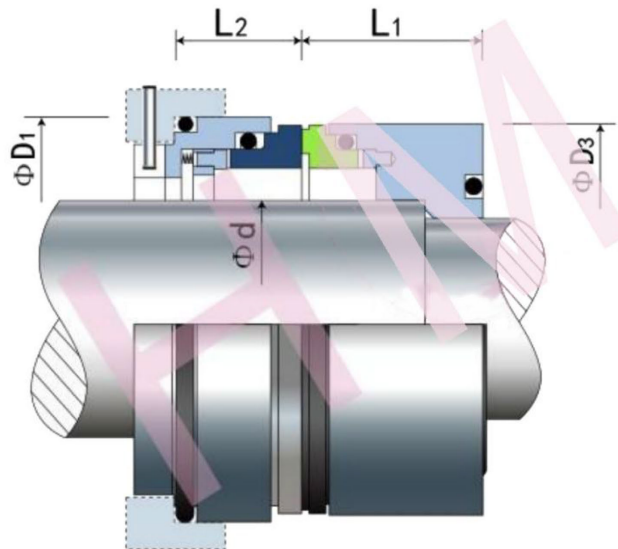
Replacement: AES M011X

Temperature: -20 to +150°C

Pressure: ≤ 0.8 Mpa

Speed: ≤ 10 m/s

Material: B, Q2, U2, P, E, N, V, F, G, Alfa



d (mm)	D1	D3	L1	L2
57	85	83	42.5	20
d (inch)	D1	D3	L1	L2
2.244	3.346	3.346	1.673	0.787

