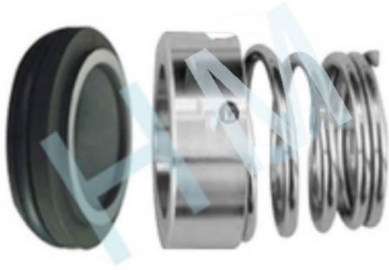
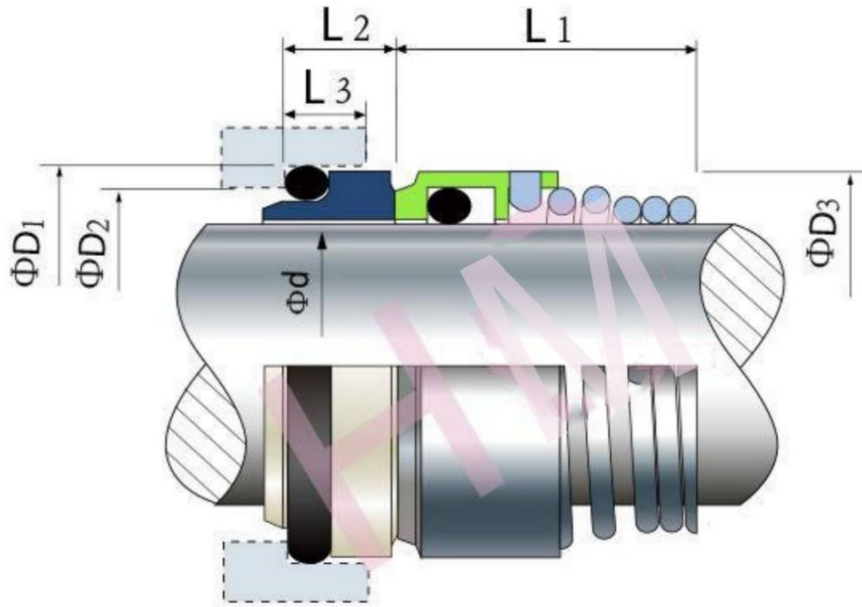


HMOP-24(121)



Type: STERLING SIHI Pump Seals
 Replacement: Vulcan 121
 Temperature: -20°C to +120°C
 Pressure: $\leq 1.2\text{Mpa}$
 Speed: $\leq 10\text{m/s}$
 Material: B,A1,Q1,Q2,U2,P,E,N,V,F,G



d (mm)	D1	D2	D3	L1	L2
38	53.5	49	53	42	9.5

