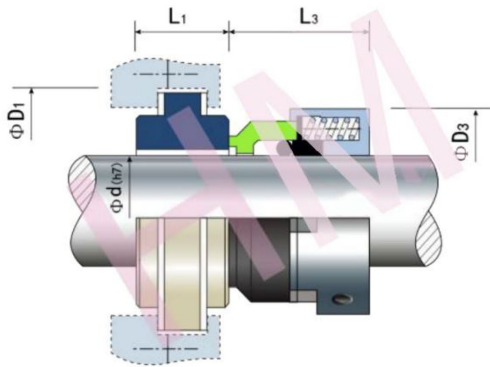


# HMOP-46/46A

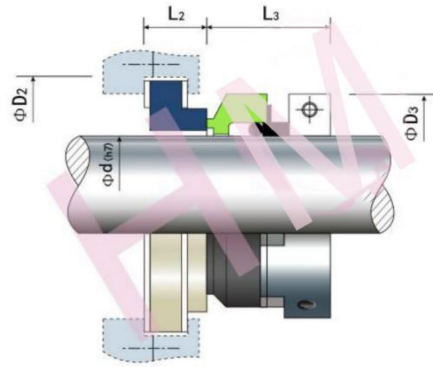
Type: Multi Spring Mechanical Seal  
 Temperature: -30°C to +200°C  
 Pressure: ≤1.0Mpa  
 Speed: ≤10m/s  
 Material: Q1,Q2,A,B,U1,U2,P,E,V,T,F,G,T2,M5



HMOP46



HMOP46A



Size (mm)	d	D3	D1	L1	L3
18	18	44	48	17.6	38.2
20	20	46	51	17.6	38.2
22	22	48	51	17.6	38.2
24	24	50	54	17.6	38.2
25	25	52	54	17.6	38.2
28	28	55	65	27.0	38.2
30	30	58	68	27.0	38.2
32	32	60	68	27.0	38.2
33	33	60	71	27.0	38.2
35	35	62	71	27.0	38.2
38	38	65	78	27.0	38.2
40	40	68	81	27.0	38.2
43	43	70	84	27.0	38.2
45	45	72	84	27.0	42.2
48	48	75	97	33.3	42.2
50	50	78	97	33.3	42.2
53	53	80	100	33.3	42.2
55	55	80	103	33.3	42.2

