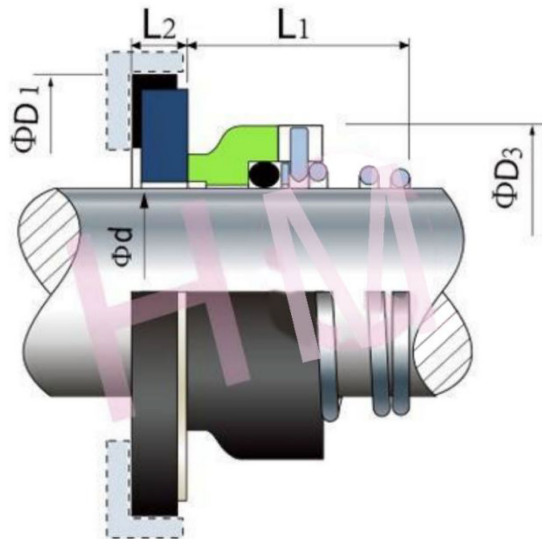


# HMOP-22(T07X)



Type: Westfalia Pump Seals  
 Replacement: AES T07X  
 Temperature:  $-20^{\circ}\text{C}$  to  $+120^{\circ}\text{C}$   
 Pressure:  $\leq 1.2\text{Mpa}$   
 Speed:  $\leq 10\text{m/s}$   
 Material: B,A1,Q1,Q2,U2,P,E,N,V,F,G



d (mm)	D1	D3	L1	L2
20	42	32	17.6	5.4

