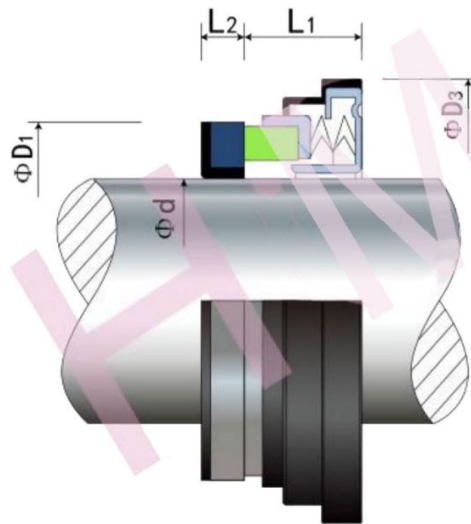


# HMOP-26(GW)



Type: Washing Machine Seals  
 Temperature: -20 to +120°C  
 Pressure :  $\leq 4.0\text{Mpa}$   
 Speed:  $\leq 10\text{m/s}$   
 Material : B,Q2,U2,P,E,N,V,F,G,Alfa



d(mm)	D1	D3	L1	L2
40	58	68	12	5.0
50	70	80	13	5.0
58	75	88	18	7.0
85	112	130	20	10.0
90	112	130	20	8.5
100	122	140	20	7.0

