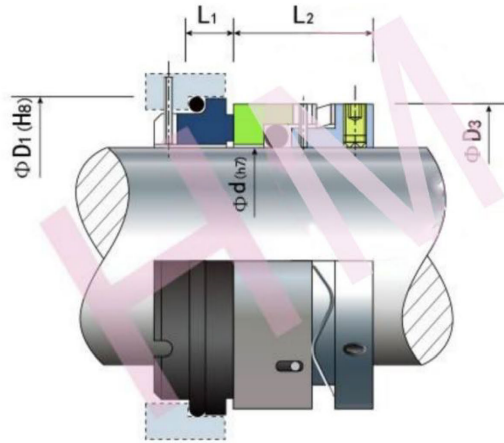


HMOP-33/33A

Type : Wave Spring Seal
 Temperature : -20°C to +200°C
 Pressure : ≤0.8Mpa
 Speed: ≤15m/s
 Material : Q1,Q2,A,B,U1,U2,P,E,V,T,F,G,T2,M5



HMOP-33



Size (mm)	d	D1	D3	L1	L3
33-16	16	27	27.0	8.6	19.3
33-20	20	35	31.0	10.0	19.3
33-22	22	37	33.0	10.0	19.3
33-24	24	39	34.1	10.0	19.3
33-25	25	40	35.2	10.0	19.3
33-28	28	43	40.0	10.0	19.3
33-30	30	45	41.0	10.0	19.3
33-32	32	48	42.4	10.0	19.3
33-33	33	48	44.0	10.0	19.3
33-35	35	50	45.5	10.0	21.3
33-38	38	56	51.8	11.0	21.3
33-40	40	58	53.8	11.0	21.3
33-43	43	61	56.0	11.0	21.3
33-45	45	63	58.2	11.0	21.3
33-48	48	66	61.4	11.0	21.3
33-50	50	70	61.9	13.0	21.3
33-55	55	75	72.0	13.0	22.3
33-60	60	80	76.0	13.0	26.0
33-63	63	83	79.3	13.0	26.0
33-65	65	85	82.3	13.0	26.0
33-70	70	92	88.9	15.3	26.0
33-75	75	97	96.0	15.3	26.0