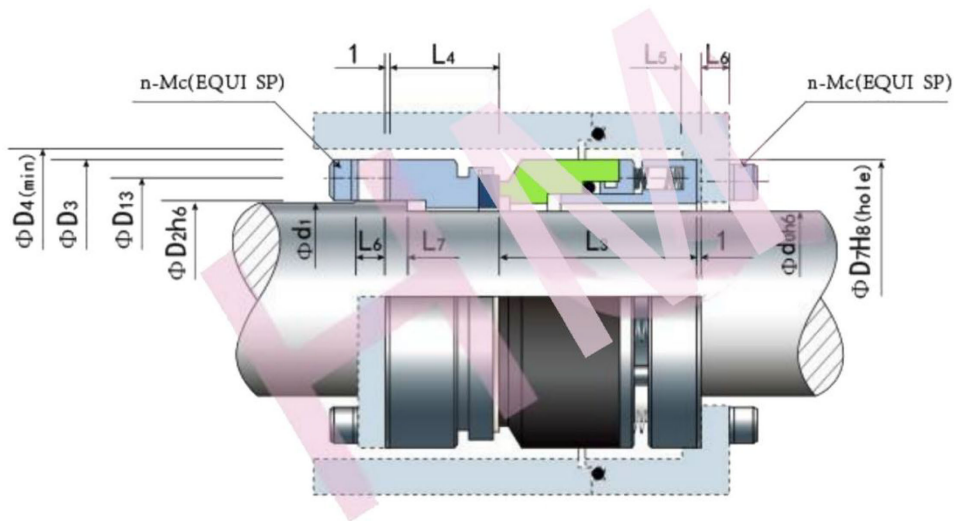


HMOP-B1-1

Type : Multi Spring Seals
 Temperature : -40 to +200°C
 Pressure : ≤4.0Mpa
 Speed : ≤20m/s
 Material : Q1,Q2,A,B,U1,U2,P,E,V,T,F,G,T2,M5



Size (mm)	d	d0	D2	D3	D4	D7	D13	L3	L4	L5	L6	L7	n	Mc
30	30	27.0	32.5	47	49	47	40	30	18	5	6	5	8	M4
35	35	31.5	36.0	51	53	51	44	30	20	5	6	5	8	M4
40	40	37.0	41.5	62	65	62	52	40	25	5	8	6	6	M6
45	45	41.5	46.5	67	70	67	56	52	25	5	8	6	6	M6
50	50	46.5	51.5	72	75	72	62	52	25	5	8	6	6	M6
55	55	51.5	56.5	78	80	78	67	55	30	5	8	6	6	M6
60	60	53.0	61.0	83	85	83	72	55	30	5	8	6	6	M6
65	65	58.5	66.0	88	90	88	76	55	30	5	10	6	6	M6
70	70	67.0	72.5	97	100	97	84	55	30	8	10	6	6	M6
75	75	73.0	77.5	98	100	98	88	50	30	8	10	6	6	M6
80	80	73.5	79.5	103	105	103	91	50	30	8	10	6	6	M6
85	85	78.0	85.5	108	110	108	97	50	30	8	10	6	6	M6
90	90	86.0	92.5	115	118	115	103	58	30	10	10	6	6	M6
95	95	90.0	97.5	121	124	121	110	50	30	10	10	8	8	M6
100	100	95.0	102.5	124	128	124	113	50	30	10	10	8	8	M6