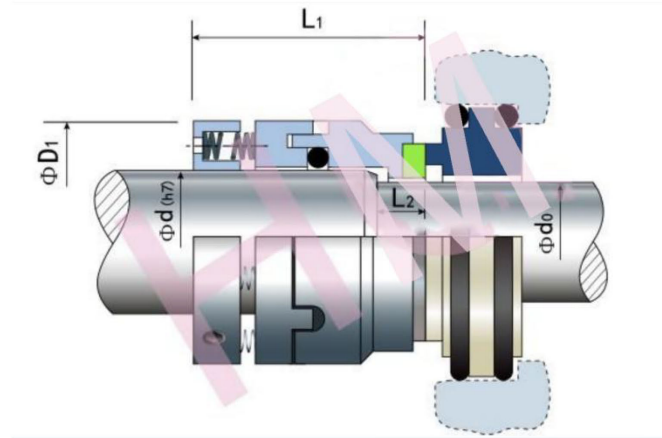


HMOP-445

Type : Multi Spring Seal
 Temperature: -20°C to +200°C
 Pressure : ≤ 2.5 Mpa
 Speed: ≤ 20 m/s
 Material: Q1,Q2,A,B,U1,U2,P,E,V,T,F,G,T2,M5



Size (mm)	d	d0	D1	L1	L2
20	20	24	38	40.2	7
22	22	26	40	40.2	7
24	24	28	42	40.2	7
25	25	30	44	40.2	7
28	28	33	47	40.2	7
30	30	35	49	40.2	7
33	33	38	54	42.2	7
35	35	40	56	42.2	7
38	38	43	59	43.2	8
40	40	45	61	43.2	8
43	43	48	64	43.2	8
45	45	50	66	44.2	8
48	48	53	69	44.2	8
50	50	55	71	44.2	8
55	55	60	78	46.2	9
60	60	65	83	46.2	9
65	65	70	90	46.2	9
70	70	75	95	46.2	9
75	75	80	100	46.2	9
80	80	85	105	46.2	9
85	85	90	110	49.2	10
90	90	95	115	49.2	10
95	95	100	120	49.2	10