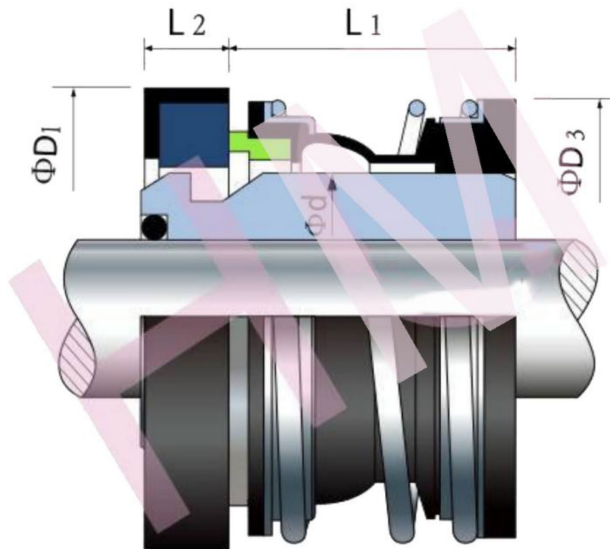


# HMWL-21(191)



Type : Suit for Wilo CENTRIFUGAL Pumps  
 Replacement: Vulcan 191, AES B02W  
 Temperature: -20°C to +120°C  
 Pressure:  $\leq 1.4\text{Mpa}$   
 Speed:  $\leq 15\text{m/s}$   
 Material : B,A1,Q1,Q2,U2,P,E,N,V,F,G



| d<br>(mm) | D1   | D3 | L1    | L2 |
|-----------|------|----|-------|----|
| 32        | 50.8 | 51 | 33.34 | 12 |
| 55        | 76.2 | 78 | 41.00 | 12 |

