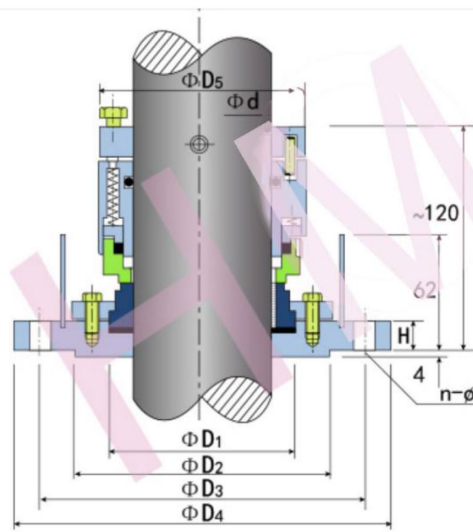


# HMK-03(204B)



Type: Kettle Seal  
 Replacement: Small spring, end surface, balanced mechanical seal  
 Temperature: -40°C to +180°C  
 Pressure: ≤0.8Mpa  
 Speed: ≤500rpm  
 Material: Q1, Q2, A, B, U1, U2, P, E, V, T, F, G, T2, M5



[hengmi@mesal.com](mailto:hengmi@mesal.com)

d (mm)	D1	D2	D3	D4	D5	H	n- Φ
30	50	116	150	185	67	16	4- Φ 18
35	60	116	150	185	72	16	4- Φ 18
40	64	135	170	205	77	16	4- Φ 18
50	74	164	200	235	87	16	8- Φ 18
60	85	164	200	235	103	16	8- Φ 18
65	91	164	200	235	103	16	8- Φ 18
70	97	164	200	235	108	16	8- Φ 18
80	110	188	225	260	118	16	12- Φ 18
90	119	220	255	290	128	16	12- Φ 18
95	123	220	255	290	133	16	12- Φ 18
100	132	245	280	315	198	16	12- Φ 18
110	140	245	280	315	148	16	12- Φ 18
120	158	245	280	315	158	21	12- Φ 18
130	168	245	280	315	168	22	12- Φ 18
140	180	245	280	315	178	22	12- Φ 18
1450	190	285	320	360	188	22	12- Φ 18
160	200	285	320	360	198	25	12- Φ 18
180	220	285	320	360	218	25	12- Φ 18