

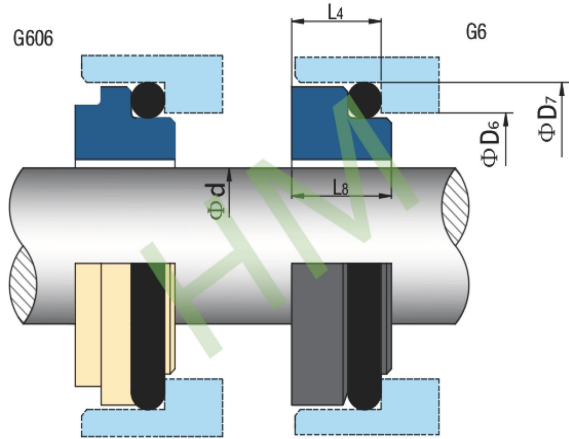
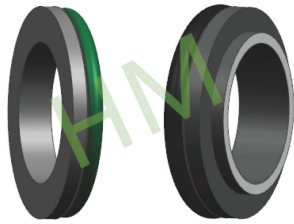


HMG6(G30)/G606

Type: o-ring mounted seats, according with DIN24960 standard

Replacement: Burgmann G6/G606, AES S03, Vulcan 8 DINS, Crane BS, Flowserve 8S

Material: G6:V1,Q1,Q2,U1,U2. G606:A,B



hengmi@meseal.com

Size (mm)	d	D6	D7	L4	L8
10	10	17	21	6.6	7.5
12	12	19	23	6.6	7.5
14	14	21	25	6.6	7.5
16	16	23	27	6.6	7.5
18	18	27	33	7.5	8.5
20	20	29	35	7.5	8.5
22	22	31	37	7.5	8.5
24	24	33	39	7.5	8.5
25	25	34	40	7.5	8.5
28	28	37	43	7.5	8.5
30	30	39	45	7.5	8.5
32	32	42	48	7.5	8.5
33	33	42	48	7.5	8.5
35	35	44	50	7.5	8.5
38	38	49	56	9.0	10.0
40	40	51	58	9.0	10.0
43	43	54	61	9.0	10.0
45	45	56	63	9.0	10.0
48	48	59	66	9.0	10.0
50	50	62	70	9.5	10.5
53	53	65	73	11.0	12.0
55	55	67	75	11.0	12.0
58	58	70	78	11.0	12.0
60	60	72	80	11.0	12.0
63	63	75	83	11.0	12.0
65	65	77	85	11.0	12.0
68	68	81	90	11.3	12.5
70	70	83	92	11.3	12.5
75	75	88	97	11.3	12.5
80	80	95	105	12.0	13.0
85	85	100	110	14.0	15.0
90	90	105	115	14.0	15.0
95	95	110	120	14.0	15.0
100	100	115	125	14.0	15.0