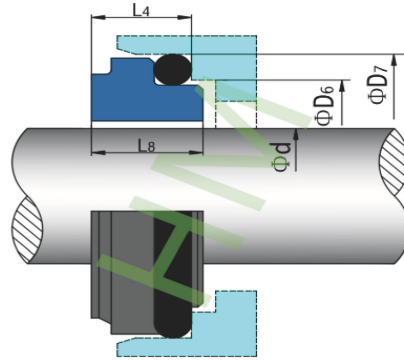


HMT12

Type: o-ring mounted seats, with standard dimensions.

Replacement: Vulcan 12

Material: B,V1,Q1,Q2,U1,U2



hengmi@meseal.com

d (mm)	D6	D7	L4	L8
10	14.0	18.1	5.5	7.0
11	16.5	20.6	5.5	7.0
12	16.5	20.6	5.5	7.0
13	19.0	23.1	6.0	7.5
14	19.0	23.1	6.0	7.5
15	21.0	26.9	7.0	9.0
16	21.0	26.6	7.0	9.0
17	21.0	26.9	7.0	9.0
18	25.0	30.9	8.0	9.5
19	25.0	30.9	8.0	9.5
20	25.0	30.9	8.0	9.5
21	30.0	35.4	8.0	9.5
22	30.0	35.4	8.0	9.5
23	30.0	35.4	8.0	9.5
24	30.0	35.4	8.0	9.5
25	33.0	38.2	8.5	9.5
26	33.0	38.2	8.5	9.5
28	38.0	43.3	9.0	11.0
29	38.0	43.3	9.0	11.0
30	38.0	43.3	9.0	11.0
32	38.0	43.3	9.0	11.0
33	45.0	53.5	11.5	13.0
34	45.0	53.5	11.5	13.0
35	45.0	53.5	11.5	13.0
36	45.0	53.5	11.5	13.0
38	52.0	60.5	11.5	13.0
40	52.0	60.5	11.5	13.0
42	52.0	60.5	11.5	13.0
43	52.0	60.5	11.5	13.0
44	57.0	65.5	11.5	13.0
45	57.0	65.5	11.5	13.0
48	57.0	65.5	11.5	13.0
50	64.0	72.5	11.5	13.5
55	64.0	72.5	11.5	13.5
60	72.0	79.3	11.5	13.5
65	77.0	84.5	11.5	13.5
70	82.0	89.5	11.5	13.5
75	87.0	94.5	11.5	13.5
80	92.0	99.5	11.5	13.5
85	98.0	105.5	13.5	15.5
90	105.0	111.5	13.5	15.5
95	110.0	116.5	13.5	15.5
100	114.0	119.5	13.5	15.5